



PARTS LIST

BACKPACK BLOWER

EB6200

NOTE :

1. Use ZENOAH genuine parts specified in the parts list for repair and/or replacement.
2. ZENOAH does not warrant the machines, those which have been damaged by the use of any parts other than those specified by the company.
3. When placing orders of parts for repair and/or replacement, check if the model name and the serial number are suitable to those specified in the parts list, then use parts number described in the parts list.
4. The contents described in the parts list may change due to improvement.
5. The parts for the machine shall be supplied within ten (10) years after the machine is discontinued.
[It is possible that some specific parts may be subject to change of their delivery term and list price within the limit of ten (10) years after the machine is discontinued. And it is also possible that some parts may be available even after the limit of ten (10) years.]

Fig.1 ENGINE GROUP

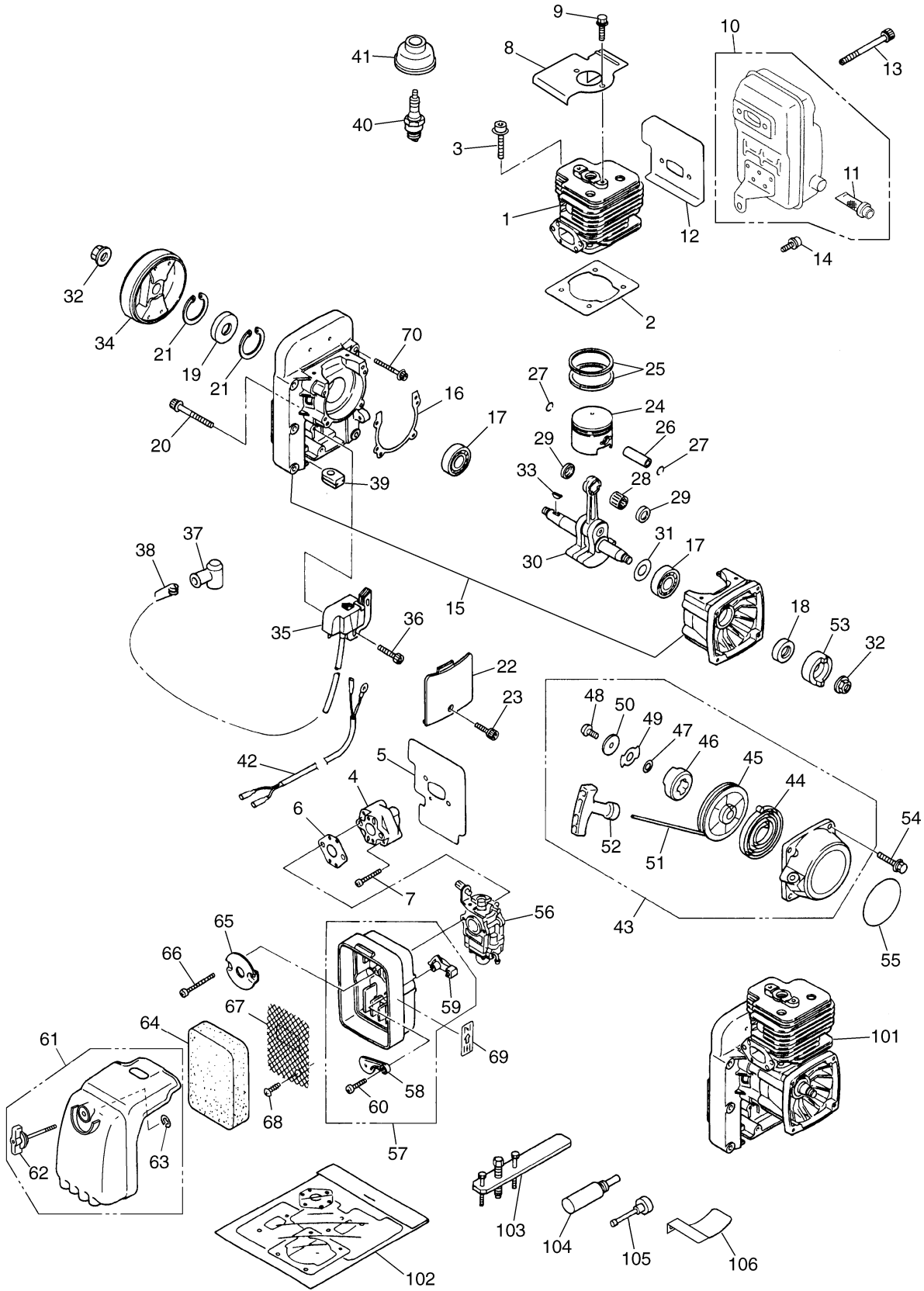


Fig.1 ENGINE GROUP

Key#	PART NUMBER	DESCRIPTION	Q'TY /UNIT	NOTE	Key#	PART NUMBER	DESCRIPTION	Q'TY /UNIT	NOTE
1	5314-35101	Cylinder	1		52	1400-75170	• Knob	1	
2	2750-12210	Gasket, base	1		53	1487-75211	Pulley	1	
3	1850-12130	Bolt	4		54	3460-75510	Bolt	4	
4	1484-13161	Insulator	1		55	5311-29944	Label	1	
5	2750-13130	Gasket	1		56	2750-81000	Carburetor	1	
6	1460-13132	Gasket	1		57	3407-82102	Body ass'y	1	
7	1484-13170	Screw	2		58	3407-82130	• Plate	1	
8	2750-12510	Cover	1		59	3407-82140	• Lever	1	
9	2750-12520	Bolt	2		60	2630-33610	• Screw	1	
10	848L301511	Muffler ass'y	1		61	1487-82201	Cover ass'y	1	
11	1421-15120	• Arrester	1		62	1487-82210	• Knob	1	
12	2750-15210	Gasket	1		63	5500-82230	• Ring	1	
13	2750-15160	Bolt	2		64	1491-82311	Element	1	
14	2750-15170	Bolt	1		65	1484-82510	Plate	1	
15	5216-33702	Crankcase comp.	1		66	0263-90560	Screw	2	
16	2750-21140	Gasket	1		67	1491-82352	Screen	1	
17	84889F4200	Bearing	2		68	1491-82360	Screw	1	
18	T4019-21210	Oil seal	1		69	1133-82060	Label	1	
19	8488AF4200	Oil seal	1		70	2750-21510	Bolt	6	
20	01252-30530	Bolt	4						
21	04065-04218	Snap ring	2						
22	2750-21211	Cover	1		101	848H301004	Short block		OPTION
23	1565-72211	Bolt	1		102	2750-06010	Gasket kit		OPTION
24	2750-41110	Piston	1		103	2750-96100	Puller ass'y		OPTION
25	3366-41210	Ring	2		104	3350-96220	Stopper		OPTION
26	3366-41310	Piston pin	1		105	2750-96230	Guide		OPTION
27	3350-41320	Snap ring	2		106	2750-96240	Gauge		OPTION
28	1400-41410	Bearing	1						
29	2616-41510	Washer	2						
30	5216-33902	Crankshaft comp.	1						
31	1300-42410	Shim	0~1						
32	1400-43230	Nut	2						
33	1000-43240	Key	1						
34	2750-71111	Rotor	1						
35	2750-71200	Coil ass'y	1						
36	3350-14150	Bolt	2						
37	1900-72112	Cap	1						
38	1900-72120	Spring	1						
39	5500-72130	Grommet	1						
40	3699-90332	Spark plug	1	NGK BPMR7A					
41	2751-71220	Cap	1						
42	2750-73200	Cord comp.	1						
43	T4030-75100	Recoil ass'y	1						
44	1180-75221	• Spring	1						
45	T4030-75120	• Reel	1						
46	T4030-75140	• Dog	1						
47	1861-75150	• Washer	1						
48	848G1K75E0	• Screw	1						
49	1487-75160	• Retainer	1						
50	1487-75170	• Washer	1						
51	1400-75160	• Rope	1						

Fig.2 BLOWER GROUP

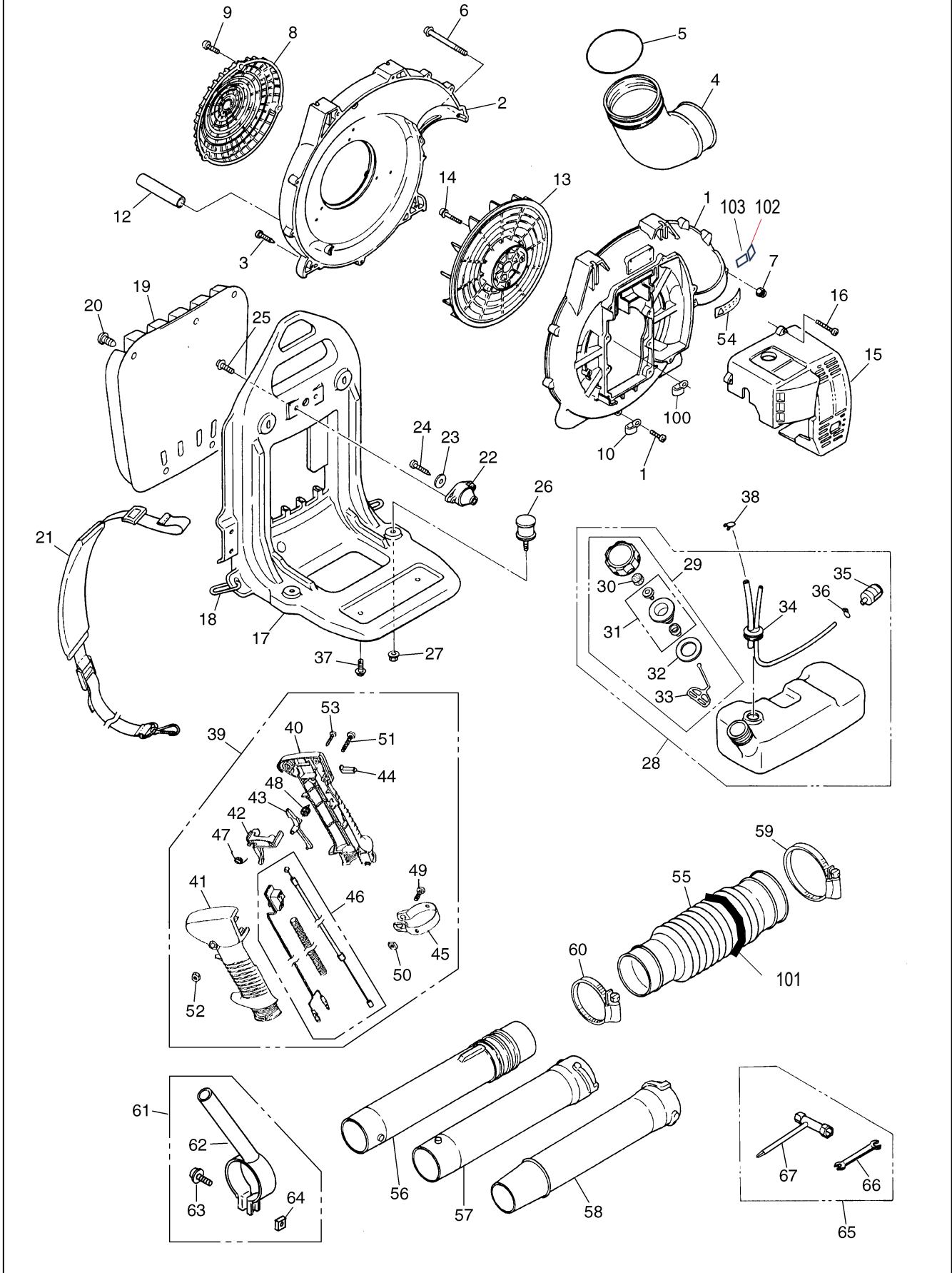


Fig.2 BLOWER GROUP

Key#	PART NUMBER	DESCRIPTION	Q'TY /UNIT	NOTE	Key#	PART NUMBER	DESCRIPTION	Q'TY /UNIT	NOTE
1	2750-31111	Volute case	1		53	1638-84220	• Screw	1	
2	848L5C55B5	Volute cover	1		54	8488X10030	Label	1	
3	2750-31150	Screw	9		55	T4017-51110	Hose	1	
4	3490-11150	Elbow	1		56	2750-51201	Swivel joint	1	
5	07000-02095	O-Ring	1		57	6811-51211	Pipe, straight	1	
6	2750-31420	Screw	2		58	848L0L65E0	Pipe, end	1	
7	3310-53331	Nut	2		59	2756-51511	Clamp	1	
8	2750-31310	Cover inlet	1		60	2756-51521	Clamp	1	
9	2750-31150	Screw	3		61	2752-51501	Stay ass'y	1	
10	8488K40010	Clamp	1		62	2752-51511	• Handle stay	1	
11	3407-16120	Screw	1		63	588 14 03-01	• Screw	1	
12	2750-31290	Tube	1		64	3050-25251	• Nut	1	
13	2750-31510	Fan	1		65	2751-91000	Tool set	1	
14	3407-12210	Bolt	4		66	3540-91120	• Spanner	1	
15	2750-31612	Engine cover	1		67	3073-91111	• Socket	1	
16	2750-31150	Screw	4		100	2750-72230	Clamp	1	
17	2756-32101	Frame comp.	1		101	3486-84110	Band	1	
18	3490-21121	Ring	2		102	T2990-21100	Label	1	
19	3460-21311	Pad	1		103	585 70 28-01	Label,LEMA	1	
20	3495-21321	Clip	4						
21	848L303611	Band ass'y	2						
22	513666702	Damper, upper	1						
23	8488705040	Washer	1						
24	01252-30540	Screw	1						
25	2750-32541	Bolt	2						
26	513667302	Damper, lower	2						
27	2750-32620	Nut	2						
28	2756-85102	Tank ass'y	1						
29	848L238510	• Cap ass'y	1						
30	5601-85260	•• Filter	1						
31	4500-85300	•• Holder ass'y	1						
32	4500-85220	•• Packing	1						
33	848L2385N0	•• Stopper	1						
34	2750-85300	• Pipe comp.	1						
35	503 44 32-01	• Filter	1						
36	1260-85460	• Clip	1						
37	3407-23610	Screw	2						
38	1950-86120	Clip	1						
39	2752-84000	Lever ass'y	1						
40	5935-84110	• Grip, right	1						
41	5935-84120	• Grip, left	1						
42	1638-84130	• Lever, throttle	1						
43	1638-84140	• Lever, safety	1						
44	1638-84150	• Lock	1						
45	1638-84160	• Band	1						
46	513 68 62-02	• Cable comp.	1						
47	1638-84170	• Spring	1						
48	1638-84180	• Spring	1						
49	0263-60620	• Screw	1						
50	1638-84190	• Nut	1						
51	0260-60535	• Screw	1						
52	1638-84210	• Nut	1						

Fig.3 CARBURETOR COMPONENTS

Carburetor Ass'y P/NO. 2750-81000

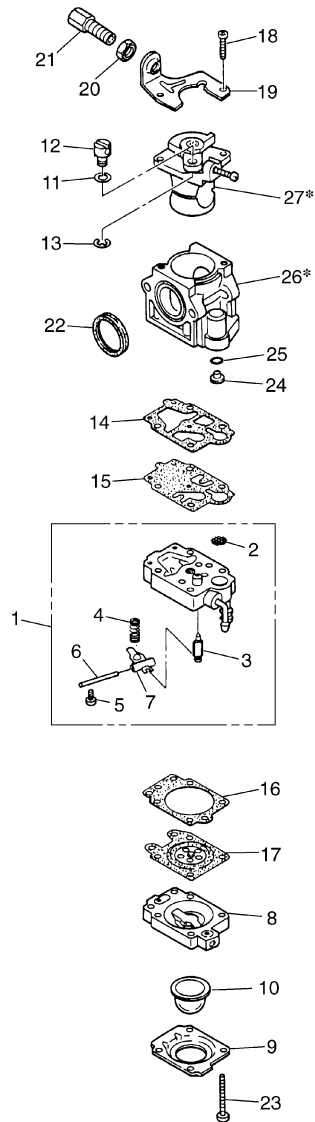


Fig.3 CARBURETOR COMPONENTS

Key#	PART NUMBER	DESCRIPTION	Q'TY /UNIT	NOTE
1	1850-81450	BODY ASS'Y	1	
2	3306-81380	• SCREEN	1	
3	3356-81310	• VALVE	1	
4	1850-81270	• SPRING	1	
5	1850-81220	• SCREW	1	
6	3310-81250	• PIN	1	
7	3310-81230	• LEVER	1	
8	1850-81490	BODY	1	
9	1850-81520	COVER	1	
10	1751-81510	PUMP	1	
11	5500-81160	WASHER	1	
12	1881-81140	SWIVEL	1	
13	1751-81130	RING	1	
14	1065-81410	GASKET	1	
15	1065-81420	DIAPHRAGM	1	
16	1850-81470	GASKET	1	
17	3310-81260	DIAPHRAGM	1	
18	1752-81110	SCREW	2	
19	5500-81120	BRACKET	1	
20	1751-81180	NUT	1	
21	1918-81170	SCREW	1	
22	1881-81130	RING	1	
23	1850-81530	SCREW	4	
24	2750-81250	JET	1	
25	1751-81240	O-RING	1	
26*	_____	BODY	1	
27*	_____	VALVE ASS'Y	1	

[NOTE]

- 26*-Body and 27*-Valve ass'y are not supplied as an individual part respectively, but supplied as a carburetor ass'y (P/NO. 2750-81000).